

ISO BAŞLIKLAR GRUBU

iso toolholders group

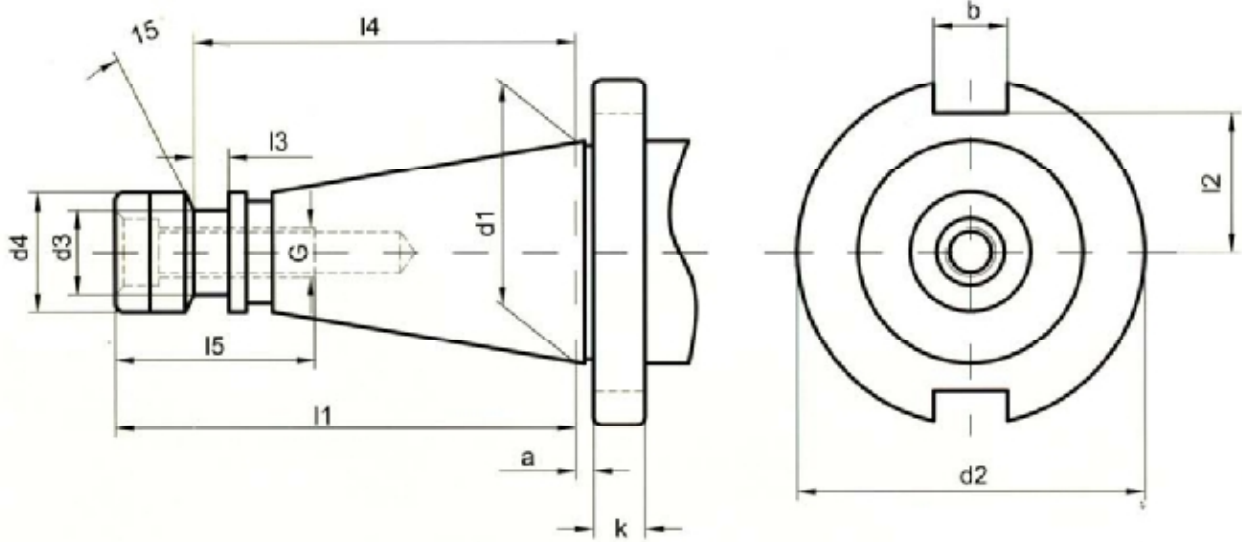
ISO





ŞAFT ÖLÇÜLERİ NORM
Toolholders Norm

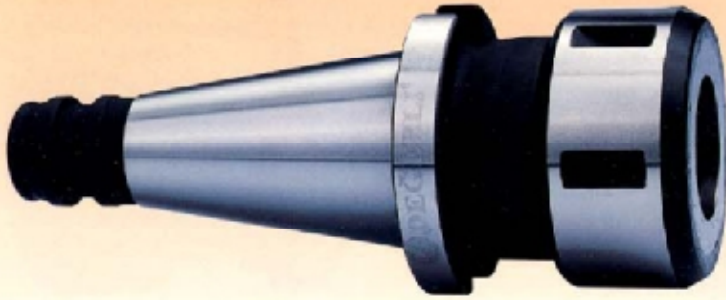
DIN 2080



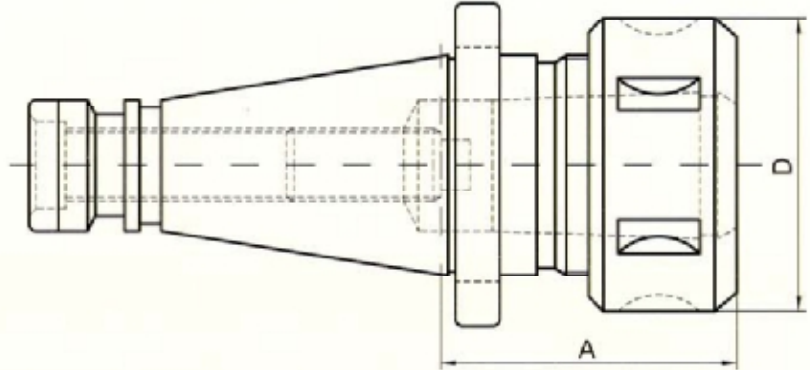
| SİPARİŞ KODU Order Number | d1 | a | b | k | G | d2 | d3 | d4 | l1 | l2 | l3 | l4 | l5 |
|------------------------------|-------|-----|------|----|--------|------|------|------|-------|------|------|-----|----|
| ISO 30 | 31,75 | 1,6 | 16,1 | 8 | M - 12 | 50 | 16,8 | 17,4 | 68,4 | 16,2 | 3,5 | 52 | 24 |
| ISO 40 | 44,45 | 1,6 | 16,1 | 10 | M - 16 | 63 | 21,1 | 25,3 | 93,4 | 22,5 | 7,4 | 82 | 32 |
| ISO 50 | 69,85 | 3,2 | 25,7 | 12 | M - 24 | 97,5 | 32 | 39,6 | 126,8 | 35,3 | 13,3 | 115 | 47 |

DIN 2080

PENS BAŞLIĞI
Collet chuck



DIN 6391
DIN 6388



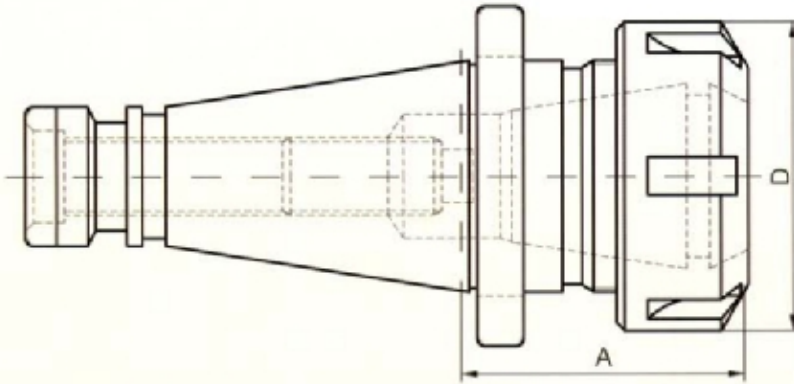
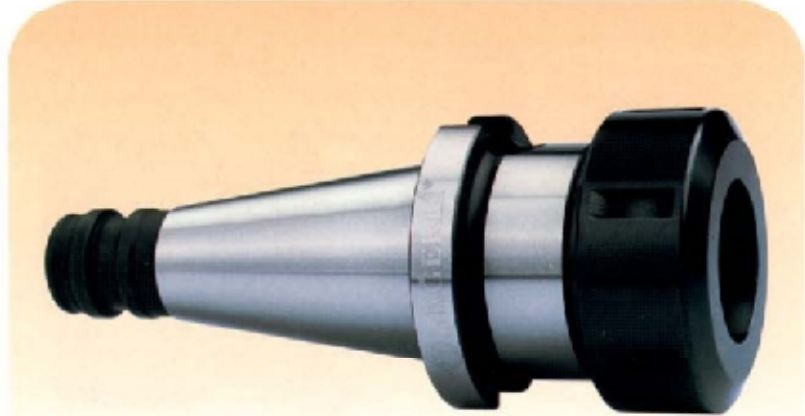
| SİPARİŞ KODU Order Number | ÜRÜN ADI Product Name | KAPASİTESİ Capacity | D | A |
|------------------------------|--------------------------|------------------------|----|----|
| 210410 | ISO 30 410 P.B. | 3.....16 | 43 | 55 |
| 210440 | ISO 30 440 P.B. | 3.....20 | 50 | 75 |
| 210444 | ISO 30 444 P.B. | 4.....25 | 60 | 75 |
| 211410 | ISO 40 410 P.B. | 3.....16 | 43 | 50 |
| 211440 | ISO 40 440 P.B. | 3.....20 | 50 | 65 |
| 211444 | ISO 40 444 P.B. | 4.....25 | 60 | 65 |
| 211450 | ISO 40 450 P.B. | 5.....32 | 72 | 75 |
| 212444 | ISO 50 444 P.B. | 4.....25 | 60 | 65 |
| 212450 | ISO 50 450 P.B. | 5.....32 | 72 | 70 |
| 212453 | ISO 50 453 P.B. | 6.....40 | 85 | 75 |



PENS BAŞLIĞI ER
Collet chuck ER

DIN 2080

DIN 6499

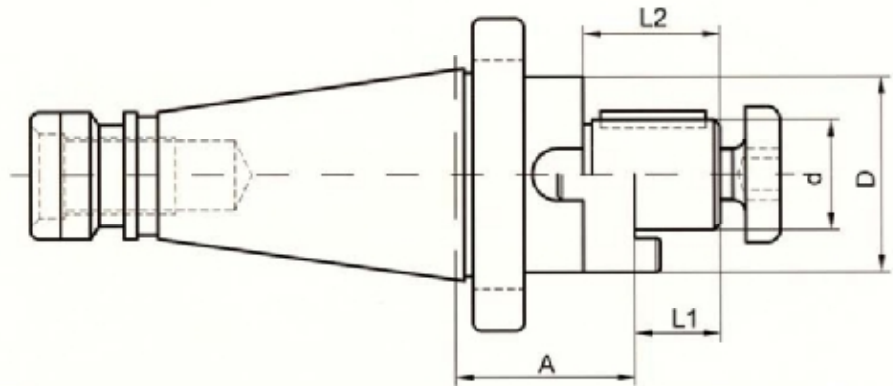
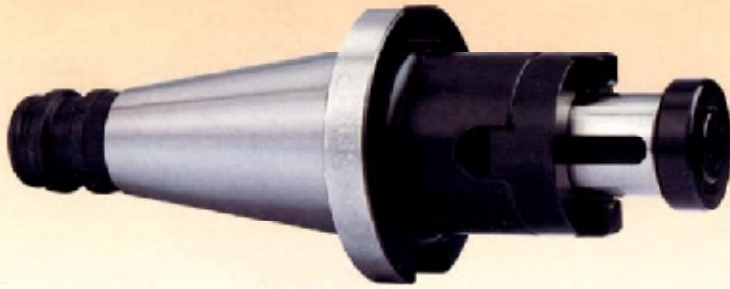


| SİPARİŞ KODU Order Number | ÜRÜN ADI Product Name | KAPASİTESİ Capacity | D | A |
|------------------------------|-------------------------------|------------------------|----|-----|
| 210470 | ISO 30 ER 32 470 PENS BAŞLIĞI | 2.....20 | 50 | 70 |
| 210472 | ISO 30 ER 40 472 PENS BAŞLIĞI | 3.....26 | 63 | 75 |
| 211426 | ISO 40 ER 16 426 PENS BAŞLIĞI | 2.....10 | 28 | 60 |
| 212426 | ISO 40 ER 16 426 PENS BAŞLIĞI | 2.....10 | 28 | 100 |
| 211430 | ISO 40 ER 25 430 PENS BAŞLIĞI | 2.....16 | 42 | 60 |
| 212430 | ISO 40 ER 25 430 PENS BAŞLIĞI | 2.....16 | 42 | 100 |
| 211470 | ISO 40 ER 32 470 PENS BAŞLIĞI | 2.....20 | 50 | 65 |
| 212470 | ISO 40 ER 32 470 PENS BAŞLIĞI | 2.....20 | 50 | 100 |
| 211472 | ISO 40 ER 40 472 PENS BAŞLIĞI | 3.....26 | 63 | 65 |
| 212472 | ISO 40 ER 40 472 PENS BAŞLIĞI | 3.....26 | 63 | 100 |
| 213470 | ISO 50 ER 32 470 PENS BAŞLIĞI | 2.....20 | 50 | 65 |
| 213472 | ISO 50 ER 40 472 PENS BAŞLIĞI | 3.....26 | 63 | 65 |

DIN 2080

KOMBİNE MALAFA
Combi shell end mill holder

DIN 6358



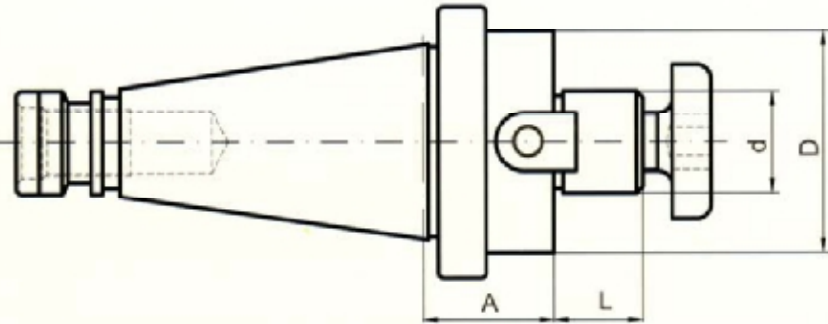
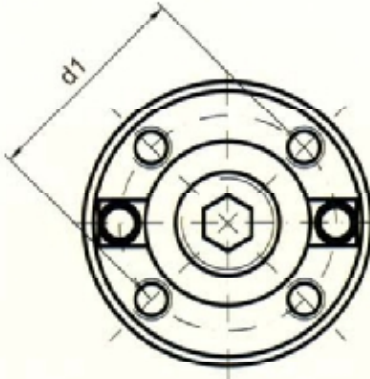
| SİPARİŞ KODU Order Number | ÜRÜN ADI Product Name | d | D | A | L2 | L1 |
|------------------------------|--------------------------|----|----|----|----|----|
| 223016 | ISO 30 KTB 16 | 16 | 32 | 50 | 27 | 17 |
| 223022 | ISO 30 KTB 22 | 22 | 40 | 50 | 31 | 19 |
| 223027 | ISO 30 KTB 27 | 27 | 48 | 50 | 33 | 21 |
| 223032 | ISO 30 KTB 32 | 32 | 58 | 50 | 38 | 24 |
| 224016 | ISO 40 KTB 16 | 16 | 32 | 52 | 27 | 17 |
| 224022 | ISO 40 KTB 22 | 22 | 40 | 52 | 31 | 19 |
| 224027 | ISO 40 KTB 27 | 27 | 48 | 52 | 33 | 21 |
| 224032 | ISO 40 KTB 32 | 32 | 58 | 52 | 38 | 24 |
| 224040 | ISO 40 KTB 40 | 40 | 70 | 52 | 41 | 27 |
| 225016 | ISO 50 KTB 16 | 16 | 32 | 55 | 27 | 17 |
| 225022 | ISO 50 KTB 22 | 22 | 40 | 55 | 31 | 19 |
| 225027 | ISO 50 KTB 27 | 27 | 48 | 55 | 33 | 21 |
| 225032 | ISO 50 KTB 32 | 32 | 58 | 55 | 38 | 24 |
| 225040 | ISO 50 KTB 40 | 40 | 70 | 55 | 41 | 27 |



ALIN KAMALI MALAFA
Shell end mill holder
* Face mill holder

DIN 2080

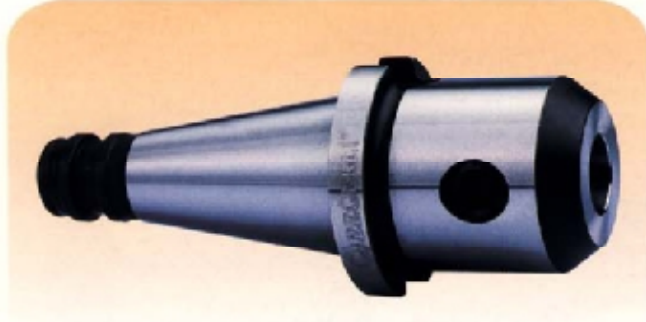
* DIN 6357



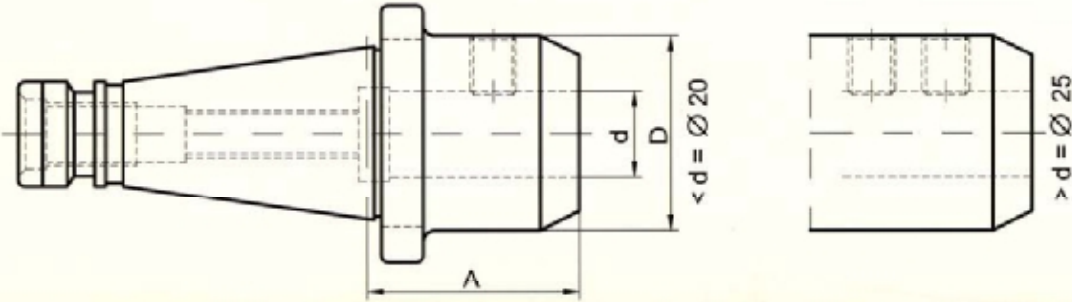
| SİPARİŞ KODU Order Number | ÜRÜN ADI Product Name | d | A | D | L | d1 |
|------------------------------|--------------------------|----|------|-----|----|--------|
| 233016 | ISO 30 ATB 16 | 16 | 25,6 | 38 | 17 | - |
| 233022 | ISO 30 ATB 22 | 22 | 25,6 | 46 | 19 | - |
| 233027 | ISO 30 ATB 27 | 27 | 25,6 | 55 | 21 | - |
| 233032 | ISO 30 ATB 32 | 32 | 25,6 | 64 | 24 | - |
| 234016 | ISO 40 ATB 16 | 16 | 28,6 | 36 | 17 | - |
| 234022 | ISO 40 ATB 22 | 22 | 28,6 | 46 | 19 | - |
| 234027 | ISO 40 ATB 27 | 27 | 28,6 | 55 | 21 | - |
| 234032 | ISO 40 ATB 32 | 32 | 28,6 | 64 | 24 | - |
| 234040 | ISO 40 ATB 40 | 40 | 38,6 | 74 | 27 | - |
| * 234140 | ISO 40 ATB 40 | 40 | 46,6 | 88 | 27 | 66,70 |
| 235016 | ISO 50 ATB 16 | 16 | 33,2 | 36 | 17 | - |
| 235022 | ISO 50 ATB 22 | 22 | 33,2 | 46 | 19 | - |
| 235027 | ISO 50 ATB 27 | 27 | 33,2 | 55 | 21 | - |
| 235032 | ISO 50 ATB 32 | 32 | 33,2 | 64 | 24 | - |
| 235040 | ISO 50 ATB 40 | 40 | 43,2 | 74 | 27 | - |
| * 235140 | ISO 50 ATB 40 | 40 | 43,2 | 88 | 27 | 66,70 |
| 235050 | ISO 50 ATB 50 | 50 | 43,2 | 98 | 30 | - |
| 235060 | ISO 50 ATB 60 | 60 | 43,2 | 108 | 30 | - |
| * 235160 | ISO 50 ATB 60 | 60 | 45,2 | 128 | 40 | 101,60 |

DIN 2080

VELDON TUTUCU MALAFA
End mill holder weldon



DIN 6359
DIN 1835 FORM B



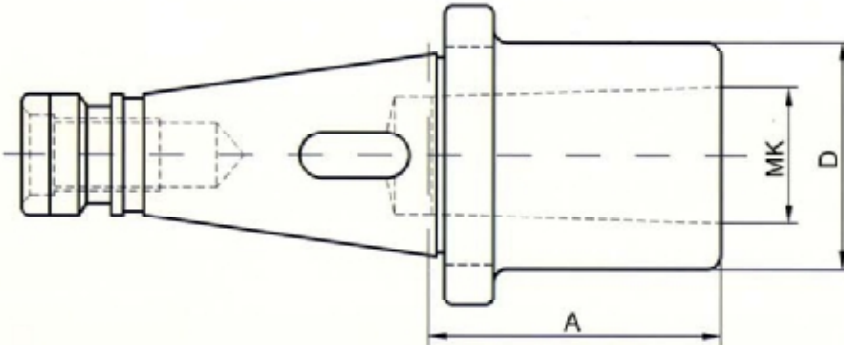
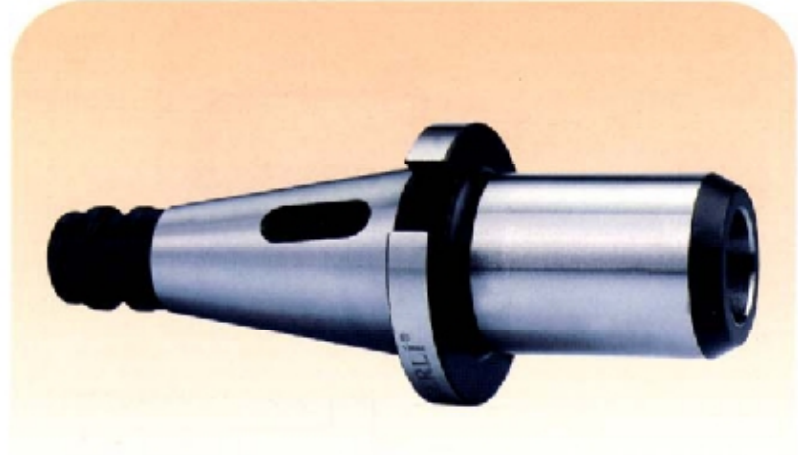
| SİPARİŞ KODU Order Number | ÜRÜN ADI Product Name | d | D | A |
|------------------------------|--------------------------|----|----|----|
| 244005 | ISO 40 / V.T. 05 | 5 | 25 | 50 |
| 244006 | ISO 40 / V.T. 06 | 6 | 25 | 50 |
| 244008 | ISO 40 / V.T. 08 | 8 | 28 | 50 |
| 244010 | ISO 40 / V.T. 10 | 10 | 35 | 50 |
| 244012 | ISO 40 / V.T. 12 | 12 | 42 | 50 |
| 244014 | ISO 40 / V.T. 14 | 14 | 44 | 50 |
| 244016 | ISO 40 / V.T. 16 | 16 | 48 | 63 |
| 244018 | ISO 40 / V.T. 18 | 18 | 48 | 63 |
| 244020 | ISO 40 / V.T. 20 | 20 | 52 | 63 |
| 244022 | ISO 40 / V.T. 22 | 22 | 52 | 63 |
| 244025 | ISO 40 / V.T. 25 | 25 | 63 | 80 |
| 244030 | ISO 40 / V.T. 30 | 30 | 70 | 80 |
| 244032 | ISO 40 / V.T. 32 | 32 | 72 | 80 |
| 244040 | ISO 40 / V.T. 40 | 40 | 80 | 95 |
| 245006 | ISO 50 / V.T. 06 | 6 | 25 | 60 |
| 245008 | ISO 50 / V.T. 08 | 8 | 28 | 60 |
| 245010 | ISO 50 / V.T. 10 | 10 | 35 | 60 |
| 245012 | ISO 50 / V.T. 12 | 12 | 42 | 60 |
| 245014 | ISO 50 / V.T. 14 | 14 | 44 | 60 |
| 245016 | ISO 50 / V.T. 16 | 16 | 48 | 60 |
| 245018 | ISO 50 / V.T. 18 | 18 | 48 | 60 |
| 245020 | ISO 50 / V.T. 20 | 20 | 52 | 60 |
| 245022 | ISO 50 / V.T. 22 | 22 | 52 | 60 |
| 245025 | ISO 50 / V.T. 25 | 25 | 65 | 85 |
| 245032 | ISO 50 / V.T. 32 | 32 | 72 | 85 |
| 245040 | ISO 50 / V.T. 40 | 40 | 90 | 95 |



KAMALI MORS ADAPTÖR
Morse taper tang

DIN 2080

DIN 6383
DIN 228 - 2

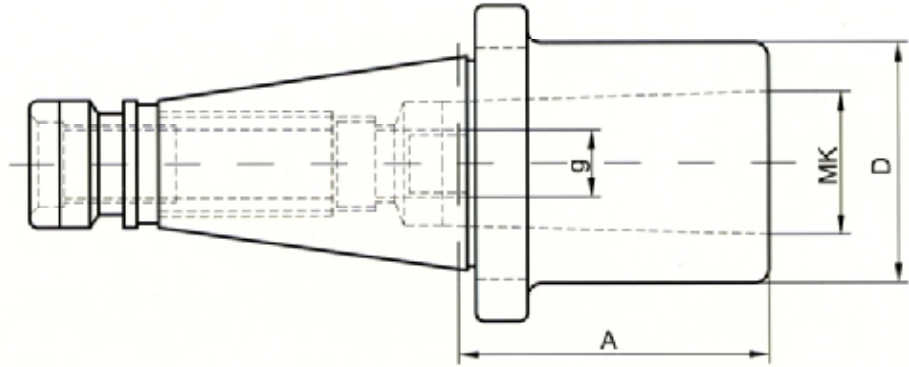
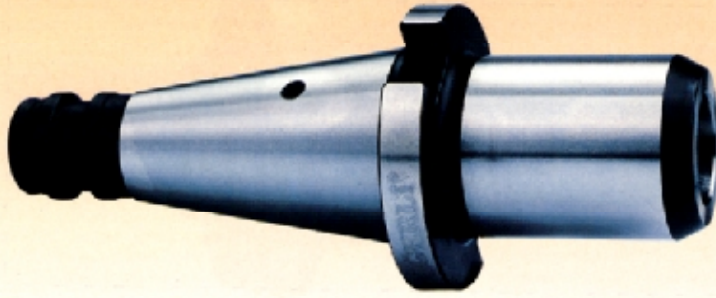


| SİPARİŞ KODU Order Number | ÜRÜN ADI Product Name | MK | A | D |
|------------------------------|--------------------------|----|-----|----|
| 253001 | ISO 30 MK-1 K.M. | 1 | 50 | 25 |
| 253002 | ISO 30 MK-2 K.M. | 2 | 60 | 32 |
| 253003 | ISO 30 MK-3 K.M. | 3 | 80 | 40 |
| 254001 | ISO 40 MK-1 K.M. | 1 | 45 | 25 |
| 254002 | ISO 40 MK-2 K.M. | 2 | 50 | 32 |
| 254003 | ISO 40 MK-3 K.M. | 3 | 70 | 40 |
| 254004 | ISO 40 MK-4 K.M. | 4 | 95 | 48 |
| 255001 | ISO 50 MK-1 K.M. | 1 | 45 | 25 |
| 255002 | ISO 50 MK-2 K.M. | 2 | 50 | 32 |
| 255003 | ISO 50 MK-3 K.M. | 3 | 65 | 40 |
| 255004 | ISO 50 MK-4 K.M. | 4 | 70 | 48 |
| 255005 | ISO 50 MK-5 K.M. | 5 | 105 | 63 |

DIN 2080

ÇEKTİRMELİ MORS ADAPTÖR
Morse taper adapter draw bar

DIN 6364
DIN 228 - 2



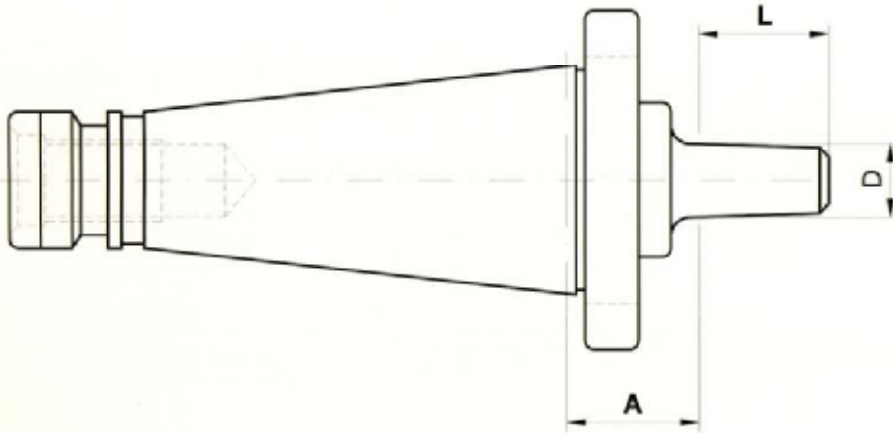
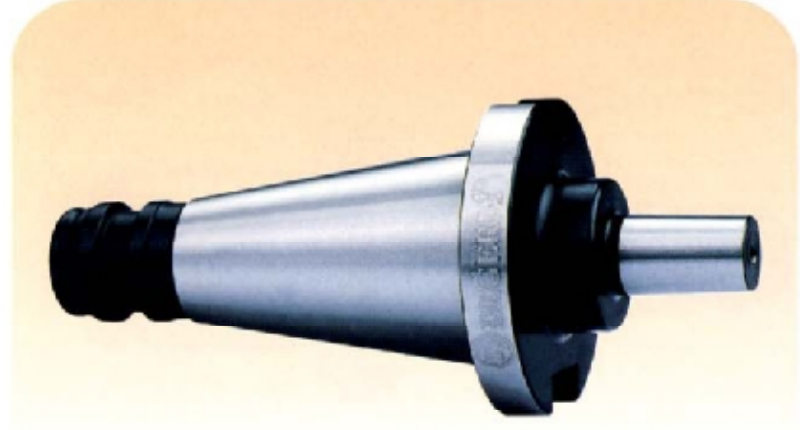
| SİPARİŞ KODU Order Number | ÜRÜN ADI Product Name | MK | A | D | g |
|------------------------------|--------------------------|----|-----|----|--------|
| 264001 | ISO 40 MK-1 Ç.M. | 1 | 45 | 25 | M - 6 |
| 264002 | ISO 40 MK-2 Ç.M. | 2 | 50 | 32 | M - 10 |
| 264003 | ISO 40 MK-3 Ç.M. | 3 | 70 | 40 | M - 12 |
| 264004 | ISO 40 MK-4 Ç.M. | 4 | 95 | 50 | M - 16 |
| 265001 | ISO 50 MK-1 Ç.M. | 1 | 45 | 25 | M - 6 |
| 265002 | ISO 50 MK-2 Ç.M. | 2 | 50 | 32 | M - 10 |
| 265003 | ISO 50 MK-3 Ç.M. | 3 | 65 | 40 | M - 12 |
| 265004 | ISO 50 MK-4 Ç.M. | 4 | 70 | 50 | M - 16 |
| 265005 | ISO 50 MK-5 Ç.M. | 5 | 105 | 63 | M - 20 |



MANDREN BAŞLIĞI
Drill chuck arbor

DIN 2080

DIN 238

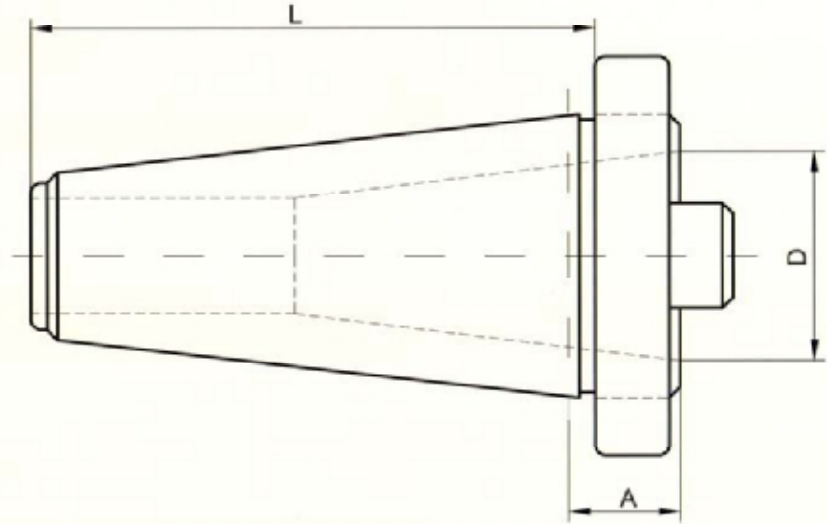


| SİPARİŞ KODU Order Number | ÜRÜN ADI Product Name | D | A | L |
|------------------------------|--------------------------|--------|----|------|
| 273012 | ISO 30 B 12 M.B. | 12,065 | 18 | 18,5 |
| 273016 | ISO 30 B 16 M.B. | 15,733 | 18 | 24 |
| 273018 | ISO 30 B 18 M.B. | 17,780 | 18 | 32 |
| 274012 | ISO 40 B 12 M.B. | 12,065 | 25 | 18,5 |
| 274016 | ISO 40 B 16 M.B. | 15,733 | 25 | 24 |
| 274018 | ISO 40 B 18 M.B. | 17,780 | 25 | 32 |
| 275016 | ISO 50 B 16 M.B. | 15,733 | 25 | 24 |
| 275018 | ISO 50 B 18 M.B. | 17,780 | 25 | 32 |

DIN 2080

ISO / ISO ADAPTÖR
ISO / ISO adapter

DIN 6363



| SİPARİŞ KODU Order Number | ÜRÜN ADI Product Name | L | A | D |
|------------------------------|--------------------------|-----|----|-------|
| 284030 | ISO 40 / ISO 30 | 70 | 12 | 31,75 |
| 285030 | ISO 50 / ISO 30 | 109 | 16 | 31,75 |
| 285040 | ISO 50 / ISO 40 | 109 | 16 | 44,45 |



ISO PENS TAKIMI
ISO collet set

DIN 2080

DIN 6388



| SİPARİŞ KODU Order Number | ÜRÜN ADI Product Name | KAPASİTESİ Capacity | PENS ADEDİ Collet Piece | PENS ÖLÇÜLERİ Collet Dimension |
|------------------------------|--------------------------|------------------------|----------------------------|---|
| 293410 | ISO 30 410 PENS TAKIMI | 3.....16 | 12 | 3-4-5-6-7-8-9-10-11-12-14-16 |
| 293440 | ISO 30 440 PENS TAKIMI | 3.....20 | 14 | 3-4-5-6-7-8-9-10-11-12-14-16-18-20 |
| 293444 | ISO 30 444 PENS TAKIMI | 4.....25 | 16 | 4-5-6-7-8-9-10-11-12- 14-16-18-20-22-24-25 |
| 294410 | ISO 40 410 PENS TAKIMI | 3.....16 | 12 | 3-4-5-6-7-8-9-10-11-12-14-16 |
| 294440 | ISO 40 440 PENS TAKIMI | 3.....20 | 14 | 3-4-5-6-7-8-9-10-11-12-14-16-18-20 |
| 294444 | ISO 40 444 PENS TAKIMI | 4.....25 | 16 | 4-5-6-7-8-9-10-11-12- 14-16-18-20-22-24-25 |
| 294450 | ISO 40 450 PENS TAKIMI | 5.....32 | 16 | 5-6-7-8-10-12-14-16-18- 20-22-24-25-28-30-32 |
| 295444 | ISO 50 444 PENS TAKIMI | 4.....25 | 16 | 4-5-6-7-8-9-10-11-12- 14-16-18-20-22-24-25 |
| 295450 | ISO 50 450 PENS TAKIMI | 5.....32 | 16 | 5-6-7-8-10-12-14-16-18- 20-22-24-25-28-30-32 |
| 295453 | ISO 50 453 PENS TAKIMI | 6.....40 | 20 | 6-7-8-9-10-12-14-16-18-20-22- 24-25-28-30-32-34-36-38-40 |



DIN 2080

ISO ER PENS TAKIMI
ISO ER type collet set

DIN 6499



| SİPARİŞ KODU Order Number | ÜRÜN ADI Product Name | KAPASİTESİ Capacity | PENS ADEDİ Collet Piece | PENS ÖLÇÜLERİ Collet Dimension |
|------------------------------|------------------------------|------------------------|----------------------------|--|
| 293470 | ISO 30 ER 32 470 PENS TAKIMI | 2.....20 | 14 | 3-2,4-3,5-4,6-5,7-6,8-7,9-8,10-9, 11-10,12-11,14-13,16-15,18-17,20-19 |
| 293472 | ISO 30 ER 40 472 PENS TAKIMI | 3.....26 | 16 | 4-3,5-4,6-5,7-6,8-7,9-8,10-9,11-10,12-11, 14-13,16-15,18-17,20-19,22-21,24-23,26-25 |
| 294426 | ISO 40 ER 16 426 PENS TAKIMI | 2.....10 | 8 | 3-2,4-3,5-4,6-5,7-6,8-7,9-8,10-9 |
| 294430 | ISO 40 ER 25 430 PENS TAKIMI | 2.....16 | 14 | 3-2,4-3,5-4,6-5,7-6,8-7,9-8,10-9,11-10, 12-11,-13-12,14-13,15-14,16-15 |
| 294470 | ISO 40 ER 32 470 PENS TAKIMI | 2.....20 | 14 | 3-2,4-3,5-4,6-5,7-6,8-7,9-8,10-9, 11-10,12-11,14-13,16-15,18-17,20-19 |
| 294472 | ISO 40 ER 40 472 PENS TAKIMI | 3.....26 | 16 | 4-3,5-4,6-5,7-6,8-7,9-8,10-9,11-10,12-11, 14-13,16-15,18-17,20-19,22-21,24-23,26-25 |
| 295470 | ISO 50 ER 32 470 PENS TAKIMI | 2.....20 | 14 | 3-2,4-3,5-4,6-5,7-6,8-7,9-8,10-9, 11-10,12-11,14-13,16-15,18-17,20-19 |
| 296472 | ISO 50 ER 40 472 PENS TAKIMI | 3.....26 | 16 | 4-3,5-4,6-5,7-6,8-7,9-8,10-9,11-10,12-11, 14-13,16-15,18-17,20-19,22-21,24-23,26-25 |