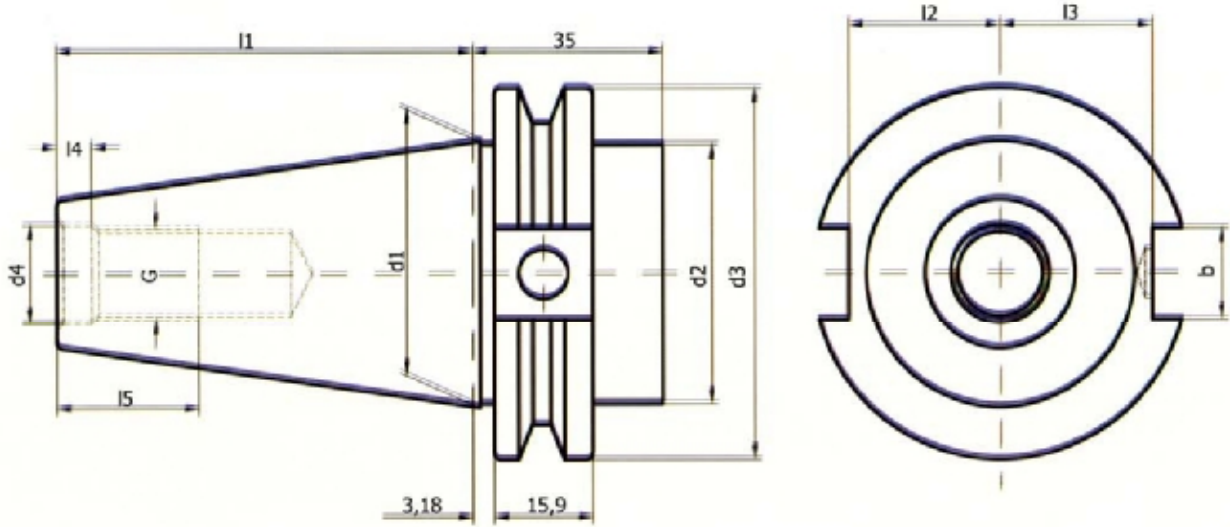


**CAT BAŞLIKLAR GRUBU**

**cat toolholders group**

**CAT**



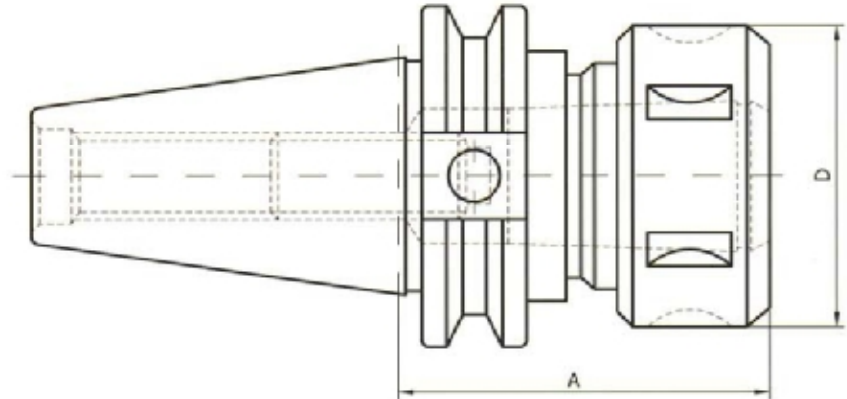
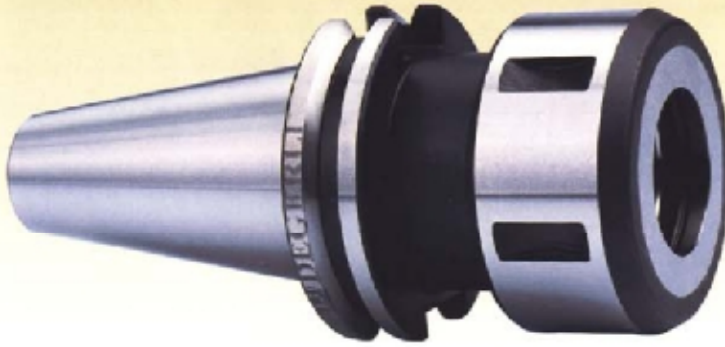


ŞAFT DETAYI Shaft Detail	d1	G	d4	d2	d3	l1	l2	l3	l4	l5	b
CAT 40	44,45	M - 16	17	44,45	63,50	68,25	22,6	25,02	5	30	16,1
CAT 50	69,85	M - 24	25	69,85	98,42	101,60	35,3	37,2	11	45	25,7

**ANSI B 5.50 CAT**

PENS BAŞLIĞI  
Collet chuck

**DIN 6391  
DIN 6388**



SİPARİŞ KODU Order Number	ÜRÜN ADI Product Name	KAPASİTESİ Capacity	D	A
411407	CAT 40 407 P.B.	3.....12	35	70
412407	CAT 40 407 P.B.	3.....12	35	100
413407	CAT 40 407 P.B.	3.....12	35	150
411410	CAT 40 410 P.B.	3.....16	43	70
412410	CAT 40 410 P.B.	3.....16	43	100
413410	CAT 40 410 P.B.	3.....16	43	150
411444	CAT 40 444 P.B.	4.....25	60	70
411450	CAT 40 450 P.B.	5.....32	72	90
415444	CAT 40 444 P.B.	4.....25	60	100
415450	CAT 40 450 P.B.	5.....32	72	100

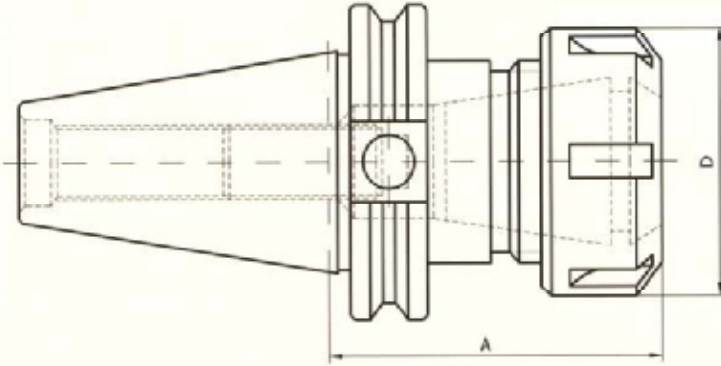
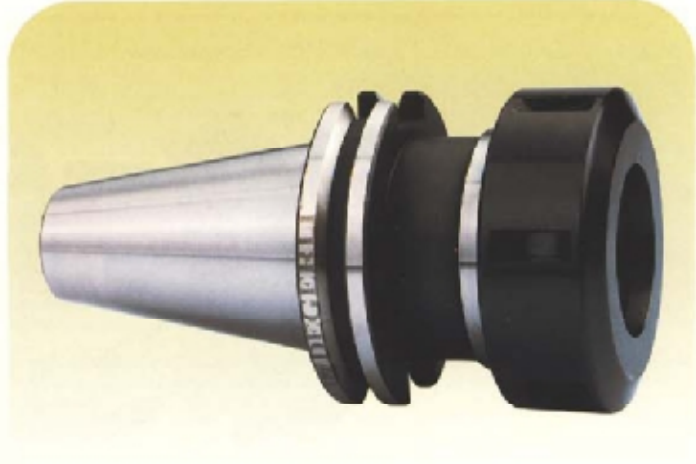




PENS BAŞLIĞI ER  
Collet chuck ER

ANSI B 5.50 CAT

DIN 6499

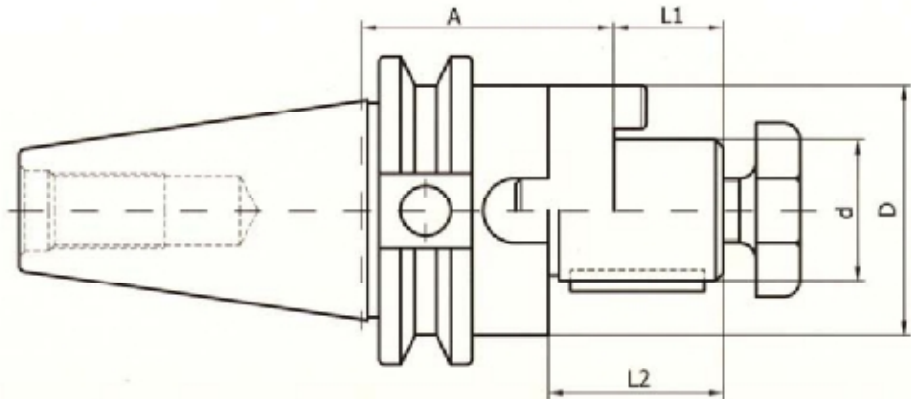
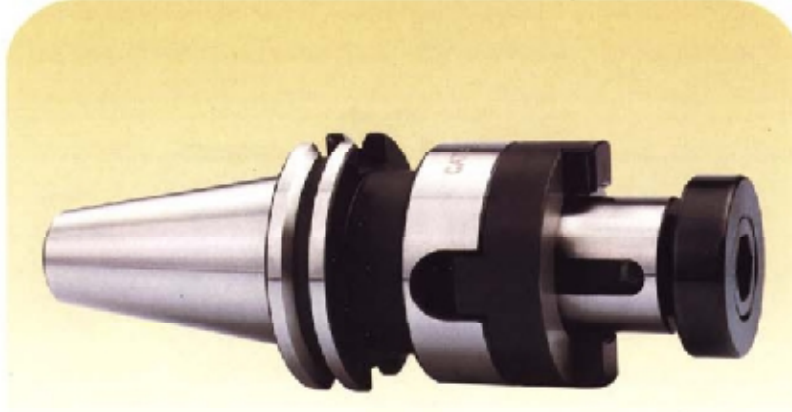


SİPARİŞ KODU Order Number	ÜRÜN ADI Product Name	KAPASİTESİ Capacity	D	A
411426	CAT 40 ER 16 426 P.B.	2.....10	28	70
412426	CAT 40 ER 16 426 P.B.	2.....10	28	100
413426	CAT 40 ER 16 426 P.B.	2.....10	28	150
411428	CAT 40 ER 20 428 P.B.	2.....12	34	70
412428	CAT 40 ER 20 428 P.B.	2.....12	34	100
413428	CAT 40 ER 20 428 P.B.	2.....12	34	150
411430	CAT 40 ER 25 430 P.B.	2.....16	42	70
412430	CAT 40 ER 25 430 P.B.	2.....16	42	100
413430	CAT 40 ER 25 430 P.B.	2.....16	42	150
411470	CAT 40 ER 32 470 P.B.	2.....20	50	70
412470	CAT 40 ER 32 470 P.B.	2.....20	50	100
413470	CAT 40 ER 32 470 P.B.	2.....20	50	150
411472	CAT 40 ER 40 472 P.B.	3.....26	63	80
412472	CAT 40 ER 40 472 P.B.	3.....26	63	100
415426	CAT 50 ER 16 426 P.B.	2.....10	28	100
415430	CAT 50 ER 25 430 P.B.	2.....16	42	100
415470	CAT 50 ER 32 470 P.B.	2.....20	50	100
415472	CAT 50 ER 40 472 P.B.	3.....26	63	100

**ANSI B 5.50 CAT**

KOMBİNE MALAFA  
Combi shell end mill holder

DIN 6358



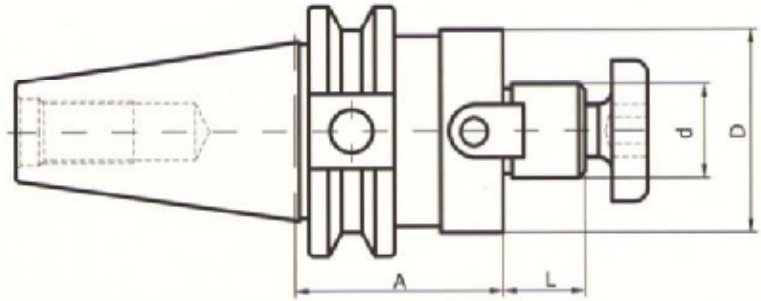
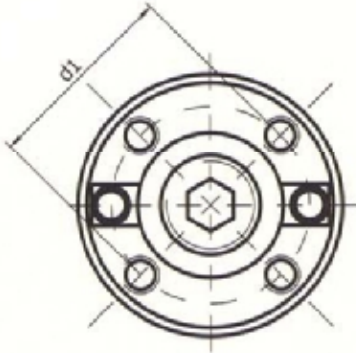
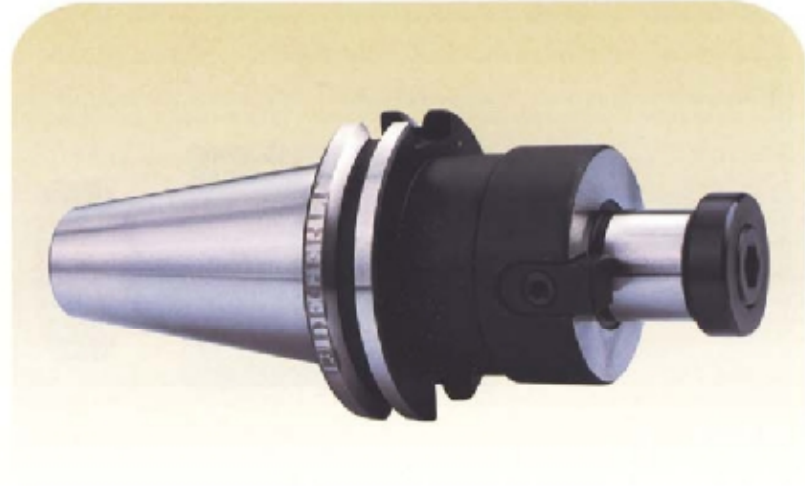
SİPARİŞ KODU Order Number	ÜRÜN ADI Product Name	d	D	A	L1	L2
424016	CAT 40 KTB 16	16	32	60	17	27
424022	CAT 40 KTB 22	22	40	60	19	31
424027	CAT 40 KTB 27	27	48	60	21	33
424032	CAT 40 KTB 32	32	58	70	24	38
424040	CAT 40 KTB 40	40	70	70	27	41
425016	CAT 50 KTB 16	16	32	60	17	27
425022	CAT 50 KTB 22	22	40	60	19	31
425027	CAT 50 KTB 27	27	48	60	21	33
425032	CAT 50 KTB 32	32	58	70	24	38
425040	CAT 50 KTB 40	40	70	70	27	41



ALIN KAMALI MALAFA  
Shell end mill holder  
\* Face mill holder

ANSI B 5.50 CAT

\* DIN 6357



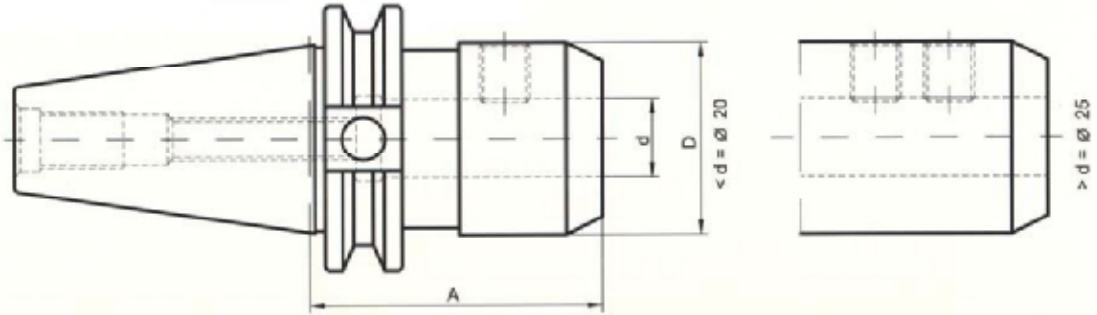
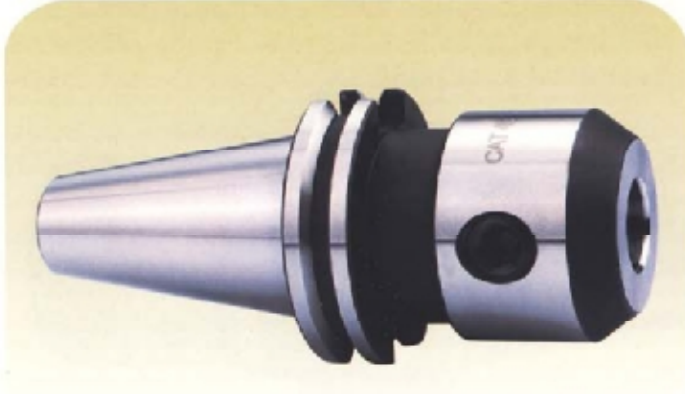
SİPARİŞ KODU Order Number	ÜRÜN ADI Product Name	d	D	A	d1	L
434016	CAT 40 ATB 16	16	36	50	---	17
434022	CAT 40 ATB 22	22	46	55	---	19
434027	CAT 40 ATB 27	27	55	55	---	21
434032	CAT 40 ATB 32	32	64	55	---	24
434040	CAT 40 ATB 40	40	74	60	---	27
435016	CAT 50 ATB 16	16	36	50	---	17
435022	CAT 50 ATB 22	22	46	55	---	19
435027	CAT 50 ATB 27	27	55	55	---	21
435032	CAT 50 ATB 32	32	64	55	---	24
435040	CAT 50 ATB 40	40	74	60	---	27
* 435140	CAT 50 ATB 40	40	88	60	66,70	27
435050	CAT 50 ATB 50	50	98	65	---	30



**ANSI B 5.50 CAT**

VELDON TUTUCU MALAFA  
End mill holder weldon

**DIN 6359  
DIN 1835 FORM B**



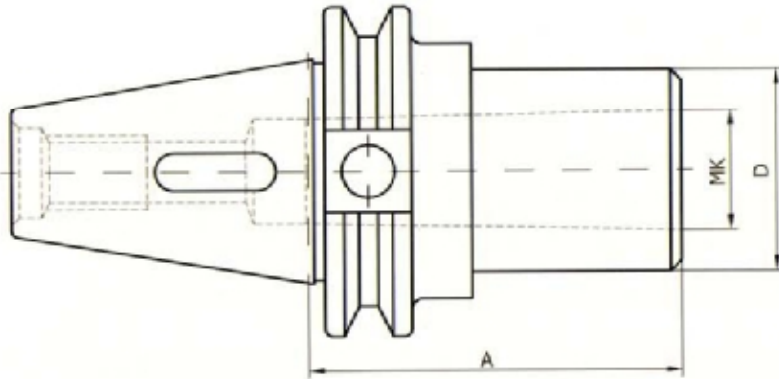
SİPARİŞ KODU Order Number	ÜRÜN ADI Product Name	d	D	A
444005	CAT 40 / V.T. 05	5	25	75
444006	CAT 40 / V.T. 06	6	25	75
444008	CAT 40 / V.T. 08	8	28	75
444010	CAT 40 / V.T. 10	10	35	75
444012	CAT 40 / V.T. 12	12	42	75
444014	CAT 40 / V.T. 14	14	44	75
444016	CAT 40 / V.T. 16	16	48	75
444018	CAT 40 / V.T. 18	18	48	75
444020	CAT 40 / V.T. 20	20	52	75
444022	CAT 40 / V.T. 22	22	52	75
444025	CAT 40 / V.T. 25	25	63	100
444032	CAT 40 / V.T. 32	32	72	110
444040	CAT 40 / V.T. 40	40	80	120
445006	CAT 50 / V.T. 06	6	25	75
445008	CAT 50 / V.T. 08	8	28	75
445010	CAT 50 / V.T. 10	10	35	75
445012	CAT 50 / V.T. 12	12	42	75
445014	CAT 50 / V.T. 14	14	44	75
445016	CAT 50 / V.T. 16	16	48	75
445018	CAT 50 / V.T. 18	18	48	75
445020	CAT 50 / V.T. 20	20	52	75
445022	CAT 50 / V.T. 22	22	52	75
445025	CAT 50 / V.T. 25	25	65	80
445032	CAT 50 / V.T. 32	32	72	100
445040	CAT 50 / V.T. 40	40	90	110



KAMALI MORS ADAPTÖR  
Morse taper adapter tang

ANSI B 5.50 CAT

DIN 6383  
DIN 228 - 2



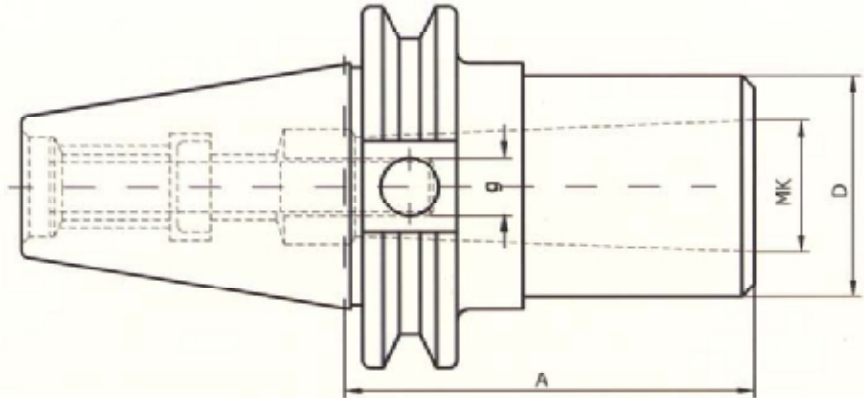
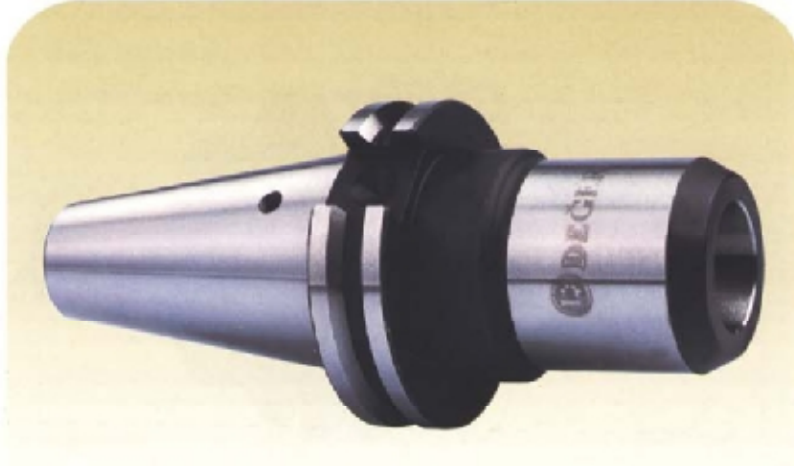
SİPARİŞ KODU Order Number	ÜRÜN ADI Product Name	MK	A	D
454001	CAT 40 MK-1 K.M.	1	50	25
454002	CAT 40 MK-2 K.M.	2	55	32
454003	CAT 40 MK-3 K.M.	3	75	40
454004	CAT 40 MK-4 K.M.	4	95	48
455001	CAT 50 MK-1 K.M.	1	45	25
455002	CAT 50 MK-2 K.M.	2	45	32
455003	CAT 50 MK-3 K.M.	3	65	40
455004	CAT 50 MK-4 K.M.	4	80	48
455005	CAT 50 MK-5 K.M.	5	120	63



ANSI B 5.50 CAT

ÇEKTİRMELİ MORS ADAPTÖR  
Morse taper adapter draw bar

DIN 6364  
DIN 228 - 2



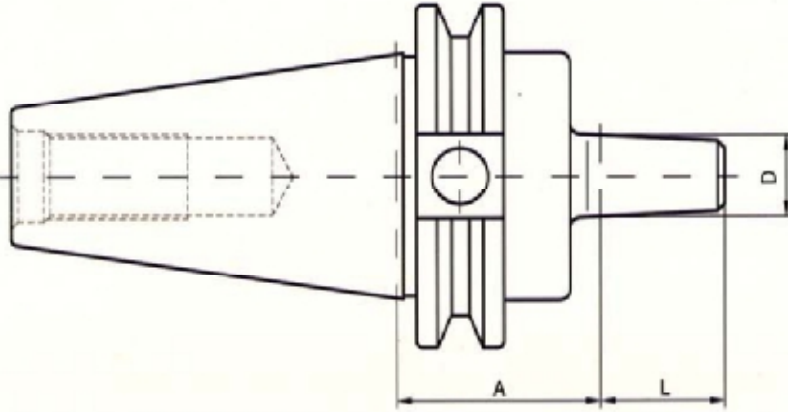
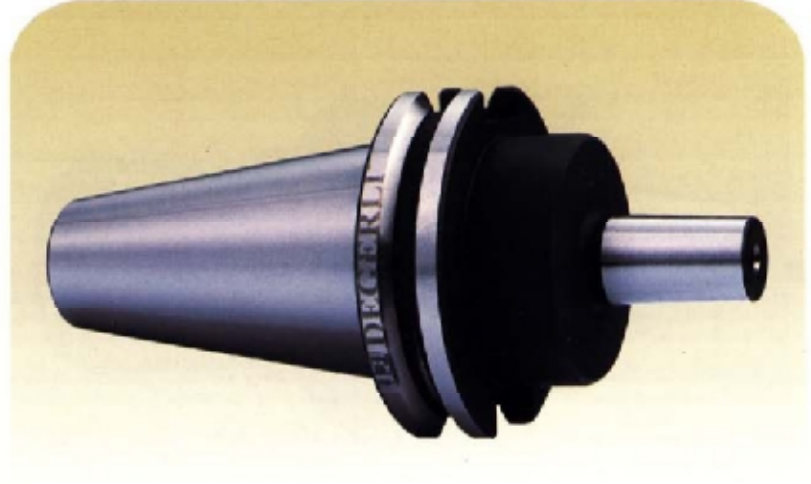
SİPARİŞ KODU Order Number	ÜRÜN ADI Product Name	MK	D	g	A
464001	CAT 40 MK-1 Ç.M.	1	25	M - 6	50
464002	CAT 40 MK-2 Ç.M.	2	32	M - 10	55
464003	CAT 40 MK-3 Ç.M.	3	40	M - 12	75
464004	CAT 40 MK-4 Ç.M.	4	50	M - 16	95
465001	CAT 50 MK-1 Ç.M.	1	25	M - 6	45
465002	CAT 50 MK-2 Ç.M.	2	32	M - 10	45
465003	CAT 50 MK-3 Ç.M.	3	40	M - 12	65
465004	CAT 50 MK-4 Ç.M.	4	50	M - 16	80
465005	CAT 50 MK-5 Ç.M.	5	63	M - 20	120



MANDREN BAŞLIĞI  
Drill chuck arbor

**ANSI B 5.50 CAT**

**DIN 238**



SİPARİŞ KODU Order Number	ÜRÜN ADI Product Name	D	A	L
474012	CAT 40 B 12 M.B.	12,065	40	18,5
474016	CAT 40 B 16 M.B.	15,733	40	24
474018	CAT 40 B 18 M.B.	17,780	40	32
475016	CAT 50 B 16 M.B.	15,733	40	24
475018	CAT 50 B 18 M.B.	17,780	40	32

**ANSI B 5.50 CAT**

**CAT PENS TAKIMI**  
CAT Collet set

**DIN 6388**



SİPARİŞ KODU Order Number	ÜRÜN ADI Product Name	KAPASİTESİ Capacity	PENS ADEDİ Collet Piece	PENS ÖLÇÜLERİ Collet Dimension
494407	CAT 40 407 PENS TAKIMI	3.....12	10	3-4-5-6-7-8-9-10-11-12
494410	CAT 40 410 PENS TAKIMI	3.....16	12	3-4-5-6-7-8-9-10- 11-12-14-16
494444	CAT 40 444 PENS TAKIMI	4.....25	16	4-5-6-7-8-9-10-11-12- 14-16-18-20-22-24-25
494450	CAT 40 450 PENS TAKIMI	5.....32	16	5-6-7-8-10-12-14-16-18- 20-22-24-25-28-30-32
495444	CAT 50 444 PENS TAKIMI	4.....25	16	4-5-6-7-8-9-10-11-12- 14-16-18-20-22-24-25
495450	CAT 50 450 PENS TAKIMI	5.....32	16	5-6-7-8-10-12-14-16-18- 20-22-24-25-28-30-32



CAT ER PENS TAKIMI  
CAT ER Collet set

**DIN 6499**

**DIN 6499**



SİPARİŞ KODU Order Number	ÜRÜN ADI Product Name	KAPASİTESİ Capacity	PENS ADEDİ Collet Piece	PENS ÖLÇÜLERİ Collet Dimension
494426	CAT 40 ER 16 426 PENS TAKIMI	2.....10	8	3-2,4-3,5-4,6-5,7-6,8-7,9-8,10-9
494428	CAT 40 ER 20 428 PENS TAKIMI	2.....12	10	3-2,4-3,5-4,6-5,7-6,8-7, 9-8,10-9,11-10,12-11
494430	CAT 40 ER 25 430 PENS TAKIMI	2.....16	14	3-2,4-3,5-4,6-5,7-6,8-7,9-8,10-9, 11-10,12-11,13-12,14-13,15-14,16-15
494470	CAT 40 ER 32 470 PENS TAKIMI	2.....20	14	3-2,4-3,5-4,6-5,7-6,8-7,9-8,10-9 11-10,12-11,14-13,16-15,18-17,20-19
494472	CAT 40 ER 40 472 PENS TAKIMI	3.....26	16	4-3,5-4,6-5,7-6,8-7,9-8,10-9,11-10,12-11, 14-13,16-15,18-17,20-19,22-21,24-23,26-25
495470	CAT 50 ER 32 470 PENS TAKIMI	2.....20	14	3-2,4-3,5-4,6-5,7-6,8-7,9-8,10-9 11-10,12-11,14-13,16-15,18-17,20-19
495472	CAT 50 ER 40 472 PENS TAKIMI	3.....26	16	4-3,5-4,6-5,7-6,8-7,9-8,10-9,11-10,12-11, 14-13,16-15,18-17,20-19,22-21,24-23,26-25